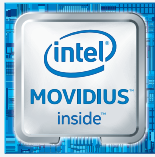


AIEdge-X[®] 100-VPU

Compact AI at the Edge system
Powered by Intel[®] Movidius[™] Myriad[™] X VPU



Main Features

- Intel[®] Celeron[®] J3455 processor
- 3.5" slim and fanless design
- Equipped with Intel[®] Movidius[™] Myriad[™] X AIBooster[®]
- Support 2 x HDMI 2.0 output

Product Overview

Powered by Intel[®] Celeron[®] processor, the AIEdge-X[®]100-VPU fanless embedded player equipped with Intel[®] Movidius[™] Myriad[™] X AIBooster[®] can support Edge AI applications like facial/object detection, the AIEdge-X[®]100-VPU can also handle 2 independence display output. The AIEdge-X[®]100-VPU supports HDMI display, USB 3.0 ports, and a RS232/RS422/RS485 interface, is an ideal embedded player to optimize information visualization, convey brand messages, customer engagement, and smart retail management efficiencies to increase in-store traffic and sales. Also could be applicable as gateway for smart city.

The slim fanless design with extended durability further covers usages like endless aisles, QSRs, drive-thru kiosks, bus stops, digital transit information, NEXCOM AIEdge-X[®]100-VPU is designed to acquire data from device in the field side, and analyze and respond in a timely matter while all on the "Edge".

Specifications

CPU Support

- Intel[®] Celeron[®] J3455 processor 1.5GHz, 10W (Formally Apollo Lake)

Graphics

- Intel[®] HD Graphics 500

Main Memory

- 1 x 204-pin SO-DIMM socket, support up to DDR3L 1866MHz, non-ECC, un-buffered memory up to 8GB

I/O Interface-Front

- 2 x RJ45 with LEDs for Gigabit LAN
- 2 x HDMI 2.0, resolution 4096 x 2160 60Hz
- 1 x COM port (RS232/RS422/RS485)
- 1 x DC-in Jack with lock
- 2 x USB 3.0

I/O Interface-Rear

- 2 x Antenna hole
- 1 x Power button with LED
- 1 x Storage active LED

Internal I/O

- 1 x COM port connector (RS232)
- 1 x Power connector
- 1 x TPM module connector
- 1 x Line out audio connector

Expansion

- Intel[®] Movidius[™] Myriad[™] X (x 1 P/N: 20V000VPU00X0)
- Intel[®] Movidius[™] Myriad[™] X (x 2 P/N: 20V000VPU01X0)

Storage

- 1 x M.2 M Key 2242 SSD

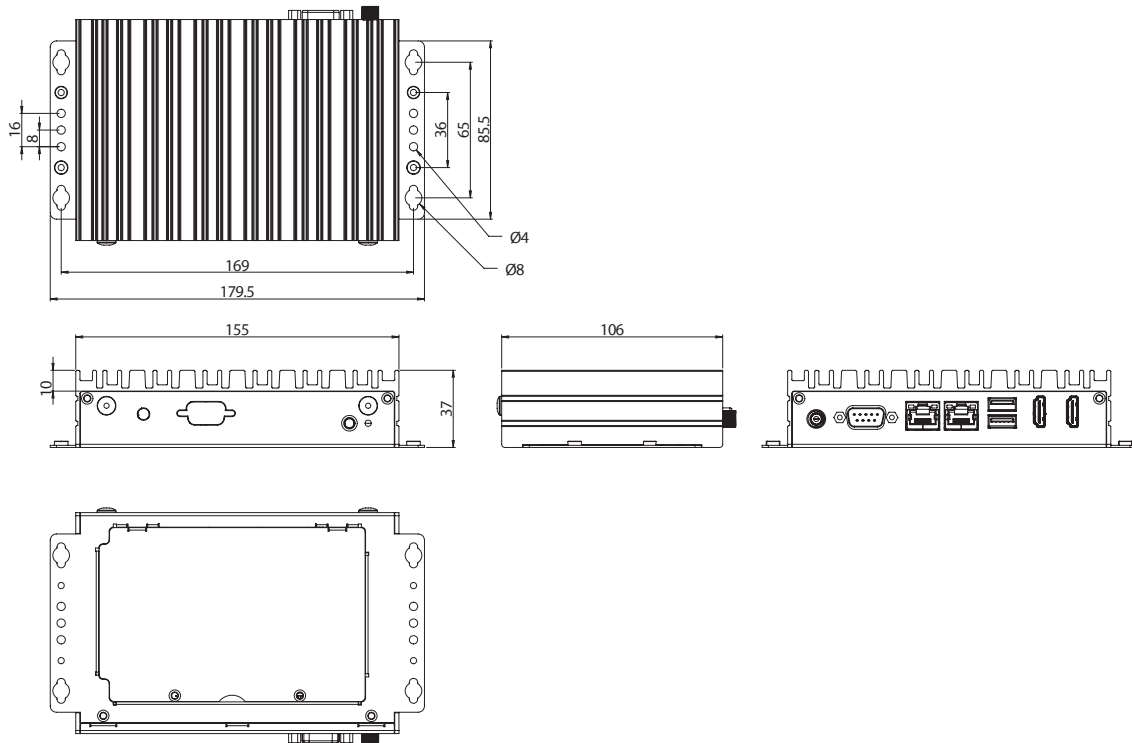
Power Supply

- 1 x External 45W AC/DC power adapter with lock
- Input: 100VAC to 240VAC
- Output: DC+19VDC

Environment

- Operating temperature: -5°C to 35°C
- Storage temperature: -20°C to 80°C
- Humidity: 95% (non-condensing)

System Architecture



Certification

- CE (EMC EN55032 + EN55035)
- FCC Class A (EMI part 15B)

Dimensions

- 155mm (W) x 106mm (D) x 37mm (H)

Operating System Support

- Win10 64-bit
- Linu x 4.1

Ordering Information

Barebone

- ♦ **AIEdge-X®100-VPU (P/N: TBC)**
Intel® Celeron® J3455 processor slim and fanless system with Intel® Movidius™ Myriad™ X AIBooster® x 1
- ♦ **AIEdge-X®100-VPU (P/N: TBC)**
Intel® Celeron® J3455 processor slim and fanless system with Intel® Movidius™ Myriad™ X AIBooster® x 2