



Main Features

- Support 35W 10th Gen Intel Core™ i9/i7/i5/i3/Pentium /Celeron Processor (Comet Lake-S)
- Stylish slim Bezel, metal housing with robust aluminum front zero bezel for harsh environment
- 10 points P-Cap touch with zero bezel flush front design
- 2 X DDR4 2933MHz Memory, up to 64GB (Non-ECC)
- Dual Intel® GbE LAN ports/DP++/Dual USB 3.0
- 1 x RS232 , 1 x RS232/422/485 with isolation (optional)
- Internal support :
 - 1 x mini-PCIe (PCIeX1, USB2.0, SATA)
 - 1 x B key M.2 3042/3052 (PCIeX1,USB3.0,USB2.0)
 - 1 x B key M.2 2242 (PCIeX1,USB2.0,SATA)
- 24VDC input; support AT/ATX power mode
- 1 x PCIeX4 expansion

Product Overview

New 15.6" fanless panel PC IPPC1611-C11 is equipped with High performance 10th Gen Intel Core™ i9/i7/i5/i3 socket type CPU platform, intended for versatile industrial applications. IPPC 1611-C11 has a narrow boarder touch screen and LED backlight LCD panel with 1366 x 768 (HD) resolution. The front panel which adopts flush, narrow boarder design and complies with IP66 standard to makes it perfectly fit in industrial applications.

IPPC1611-C11 contains dual Gigabit Ethernet connectors, one mini-PCIe slot and M.2 slot to support multiple networks of LAN/WLAN/WWAN (5G). In addition, system provides a PCIeX4 for add-on card expansion. IPPC1611-C11 can hook 2nd display via DP++ for dual independent display. One adjustable RS232/422/485 ports with isolation.

Specifications

Panel

- LCD size: 15.6", 16:9
- LCD interface : LVDS or eDP
- Resolution: HD (WXGA) 1366 x 768
- Luminance: 400cd/m²
- Contrast ratio: 500
- Viewing angle: 80 (U), 80 (D), 85 (L), 85 (R)
- Backlight: LED

Touch

- Five points P-Cap (projected capacitive touch)
- Light transmission: 87%
- Interface: USB
- Anti-scratch surface: 7H hardness

System

- CPU (optional): support 10th gen. Intel® Core™ i processor family, LGA 1200 socket type , Max. 35W.
 - Intel Gen10 Core i9-10900TE (20M Cache 2.0GHz up to 4.5GHz)
 - Intel Gen10 Core i7-10700TE (16M Cache 2.0GHz up to 4.4GHz)
 - Intel Gen10 Core i5-10500TE (12M Cache 2.3GHz up to 3.7GHz)
 - Intel Gen10 Core i3-10300TE (8M Cache 2.3GHz up to 3.6GHz)
 - Intel Gen10 Pentium G6400TE (4M Cache 3.2GHz)
 - Intel Gen10 Celeron G5900TE (4M Cache 3.0GHz)
- BIOS: AMI BIOS
- System chipset: Intel® H420E PCH

- System memory (optional): 2 x 260-pin DDR4 SO-DIMM socket, support up to Max. 32GB DDR4 2933MHz (non-ECC)
- Storage device:
 - 1 x M.2 2242 B key
 - 1 x mini-PCIe
 - 1 x Hard drive tray

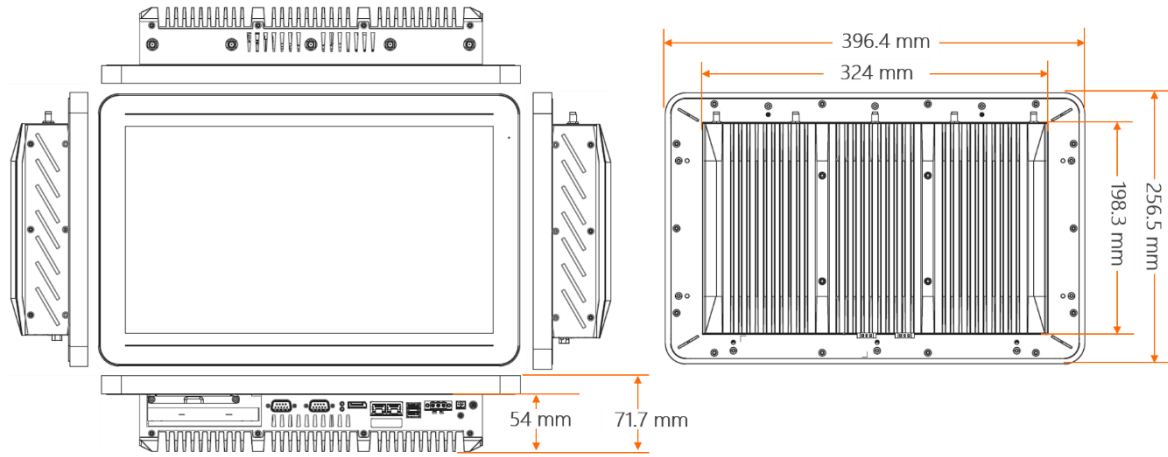
Rear I/O interface

- 2 x DB9 for COM1 & COM2
 - COM1: RS232
 - COM2: RS232/422/485 auto flow control(isolation)
- 2 x USB 3.1 ports (900mA per each)
- 1 x DP++
- 2 x Intel® I210IT GbE LAN ports; support WoL, teaming and PXE
- 1 x 2-pin remote power on/off switch
- 24V DC input

Expansion Slot

- One PCIe x4 expansion slot: FHFL, 40W max.
- 1 x mini-PCIe for Wi-Fi/mSATA
- 1 x B key M.2 3042/3052 for 5G/Wi-Fi
- 1 x nano SIM card onboard

Dimension Drawing



Power Requirements

- AT/ATX power mode (default: ATX power mode)
- Power input: +24V DC
- Power adapter: optional AC to DC power adapter (24V DC, 120W)

Dimensions

- 256.5 mm(W) x 396.40mm (D) x 71.7mm (H)

Construction

- Aluminum and metal chassis with fanless design

Environment

- Operating temperature:
 - Ambient with air flow: 0°C to 50°
 - Storage temperature: -20°C to 75°C
- Relative humidity: 10% to 90% (non-condensing)
- Shock protection:
 - HDD: 20G, half sine, 11ms, IEC60068-2-27
 - M.2: 50G, half sine, 11ms, IEC60068-2-27
- Vibration protection with SSD & M.2 condition:(TBD)
 - Random: 2Grms @ 5~500 Hz, IEC60068-2-64
 - Sinusoidal: 2Grms @ 5~500 Hz, IEC60068-2-6

Certifications

- CE approval- EN61000-6-2- EN61000-6-4
- FCC Class A

OS Support

- Windows 10 64-bit

Weight Information

- 6.8 kg