

NL 110FM-OS

Mellanox LAN Controller ConnectX®-6 DX
with 1 x 200GbE Fiber Port



Main Features

- Mellanox ConnectX®-6 DX (MT28924A0-NCCF-VE)
- PCIe Gen4 x16
- Performance: BERT better than 10⁻¹²
- Supports 200GbE
- 1 x QSFP56 port

Specifications

LAN Features

Module Type	Controller	Bypass	Link Speed	Media Type	I/O ports
NL 110FM-OS	MT28924A0-NCCF-VE	None	200G	Fiber	1 QSFP56

Interface External

- 1 x QSFP56

Dimension and Weight

- PCBA dimension: 165.5 x 71.3 x 28.1 mm
- PCBA with LAN tray dimension: 170 x 79.90 x 39.90 mm
- Packaging dimension: 255 x 175 x 62 mm
- Without packaging weight: 0.365 kg
- With packaging weight: 0.505 kg

Environment

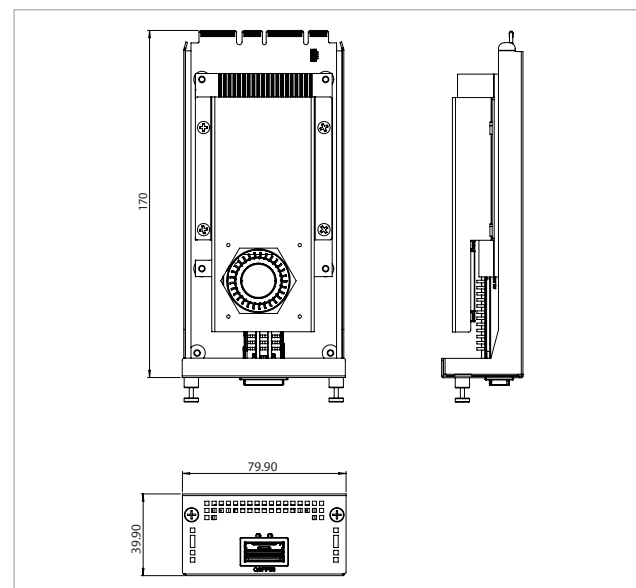
- Operating temperature: 0°C~40°C
- Storage temperature: -20°C~70°C
- Relative humidity: 10%~90% non-condensing

Ordering Information

NL 110FM-OS (P/N: 10S60011000X0)

- Mellanox MT28924A0-NCCF-VE, 1 x 200GbE QSFP56 port

Dimension Drawing



www.nexcom.com



Acceleration Card

NEXCOM

We reserve the right to change specifications and product descriptions at any time without prior notice.

Last update: 02/17/2022