



Main Features

- Powerful 21 TOPS computing power with NVIDIA® Jetson Xavier™ NX
- Supports multiple AI frameworks including TensorFlow, Caffe, and PyTorch
- Compatible with various AI tools such as TensorRT and DeepStream SDK
- Supports 8 × PoE+ ports, Supports 5G, 4G, and Wi-Fi
- Fanless design, supports wide temperature range of -10°C to 55°C, wide voltage input range of DC 9 to 30V Rich I/O interfaces, supports wall-mounting and rail installation

Product Overview

Coeus 3608P is a fan-less design box pc with NVIDIA® Jetson Xavier™ NX module. It support PoE x 8 and Accelerated computing of up to 21 teraflops provides sufficient performance to allow users to parallelize multiple modern neural networks and process data from multiple high-resolution sensors to meet the needs of complete artificial intelligence systems. For real-time, our NexRTOS + IGH can help you to develop EtherCAT Master application and control Servo drive/motor & Distributed I/O in real time. This is a very ideal solution that can quickly produce artificial intelligence product prototypes and accelerate the time to market.

AI environment

- Ubuntu18.04
- CUDA Toolkit
- cuDNN
- Multimedia
- VisionWorks
- OpenCV
- TensorRT
- VPI on target
- DeepStream
- Container Runtime

Specifications

CPU Support

- 6-core NVIDIA® Carmel ARM® v8.2 64-bit CPU

GPU

- 384-core NVIDIA® Volta™ GPU with 48 Tensor Cores

DL Accelerator

- 2 × NVDLA Engines

Vision Accelerator

- 7-Way VLIW Vision Processor

Memory

- 8GB 128-bit LPDDR4x

Storage

- 16G eMMC

I/O Interface-Front

- 2 × USB3.0
- 2 × RJ45LAN
- 8 × RJ45 PoE+, IEEE802.3at, Single port 30W

- 1 × HDMI
- 1 × SYS lamp
- 1 × PWR lamp
- 1 × Line Out
- 1 × Power switch
- 2 × Antenna reservation

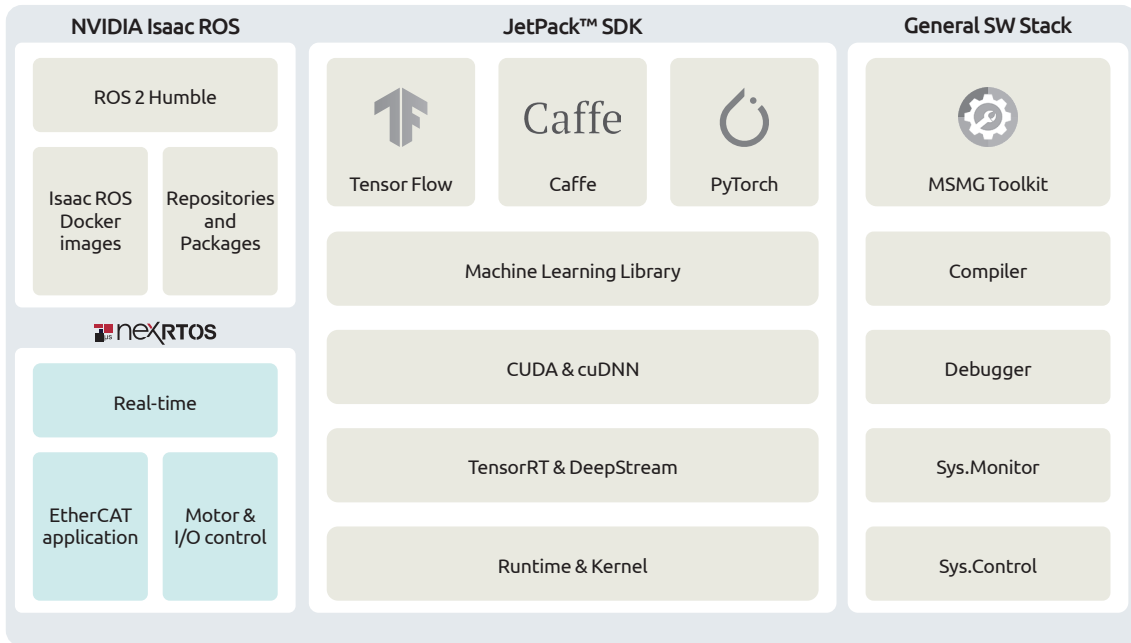
I/O Interface-Rear

- 1 × Power connector
- 1 × GPIO (4DI & 4DO)
- 2 × COM (Non-full signal, 1*DB9 form lead, COM1 RS-232/422/485; COM2 RS-232)
- 1 × OTG
- 1 × Recovery
- 1 × Ground screw hole

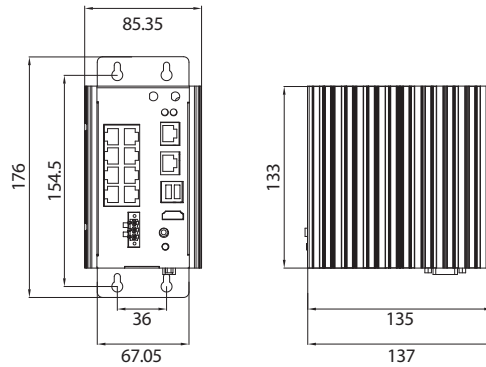
Expansion

- 1 × Micro SD
- 1 × M.2 M Key 2280
- 1 × M.2 B Key 3052 support 5G, 4G
- 1 × miniPCIe Full-size slot with mSATA support

Software Application Service



Dimension Drawing



Power Requirement

- DC 48V

Dimensions

- 85.4mm (W) x 137mm (D) x 176mm (H)

Installation

- wall-mounting and rail installation

Operating temperature

- -10°C to 55°C with air flow

Storage temperature

- -20°C to 80°C

Working humidity

- 40°C, 95% no condensation

Ordering Information

• Coeus 3608P (P/N: 10JD3608P00XH)

NVIDIA® Jetson Xavier™ NX, LAN1, COM x 2 (1*DB9 extension), Line Out, USB x 3, HDMI, GPIO (4I & 4O), Micro USB (OTG), M.2 B key (4G/5G), Micro SD, CAN, 9 to 30V DC power supply terminal, indicator light